

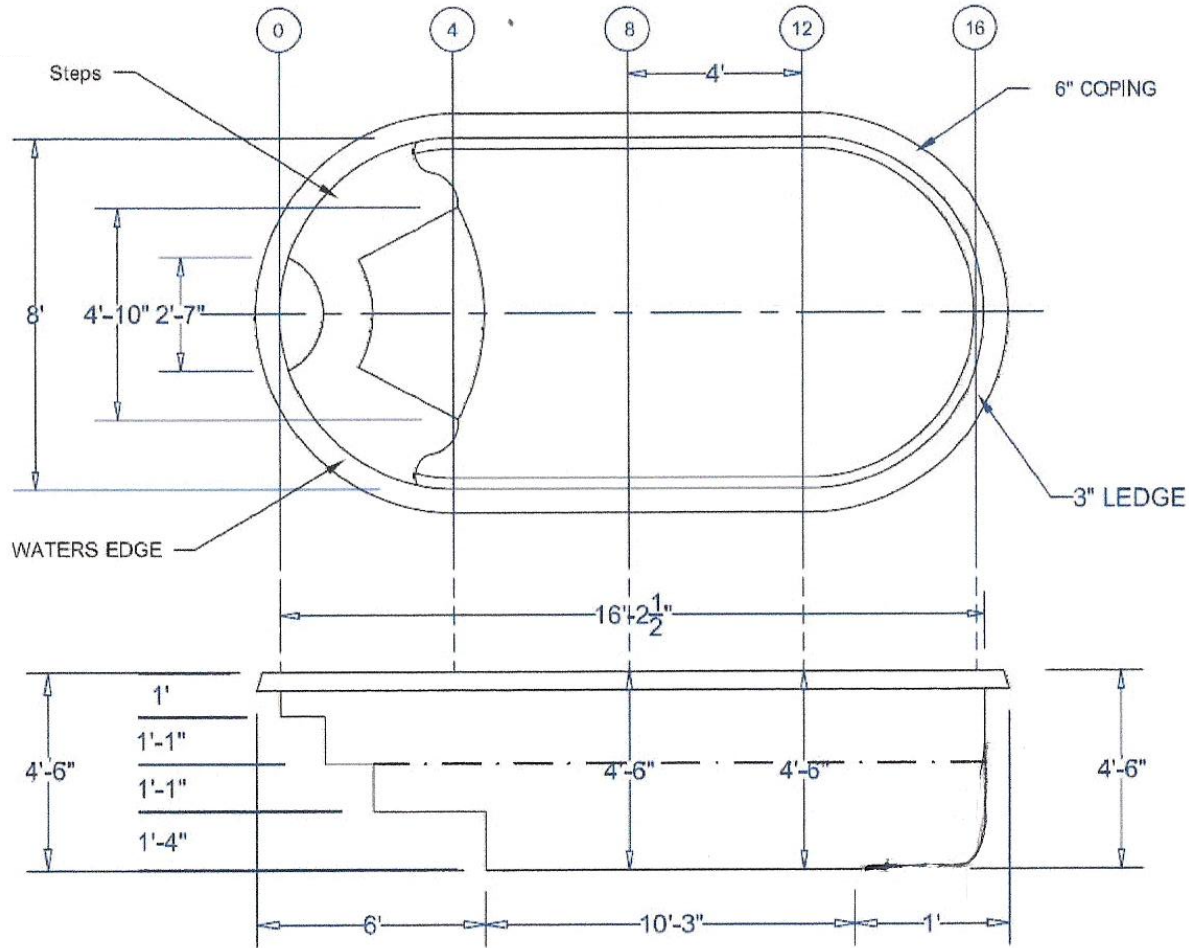


LoneStar Fiberglass Pools

15655 East US Hwy 90
 Kingsbury, Texas 78638
 866-471-6900
 830-875-6900

WWW.LONESTARFIBERGLASSPOOLS.COM

Approx. Gallons of Water: 3,000
 Approx. Weight: 800 lbs.



It is important to have your excavator call to review the Dig Diagram prior to excavation. All dimensions are Approximate. A 3" over dig must be added to the bottom for the stone, along with a 2' by 3' trench from the pool hole to the area of the equipment placement for plumbing and wiring.

THE CHEYENNE MODEL – 9' X 17'- 4'6" Deep
LONESTAR FIBERGLASS POOLS